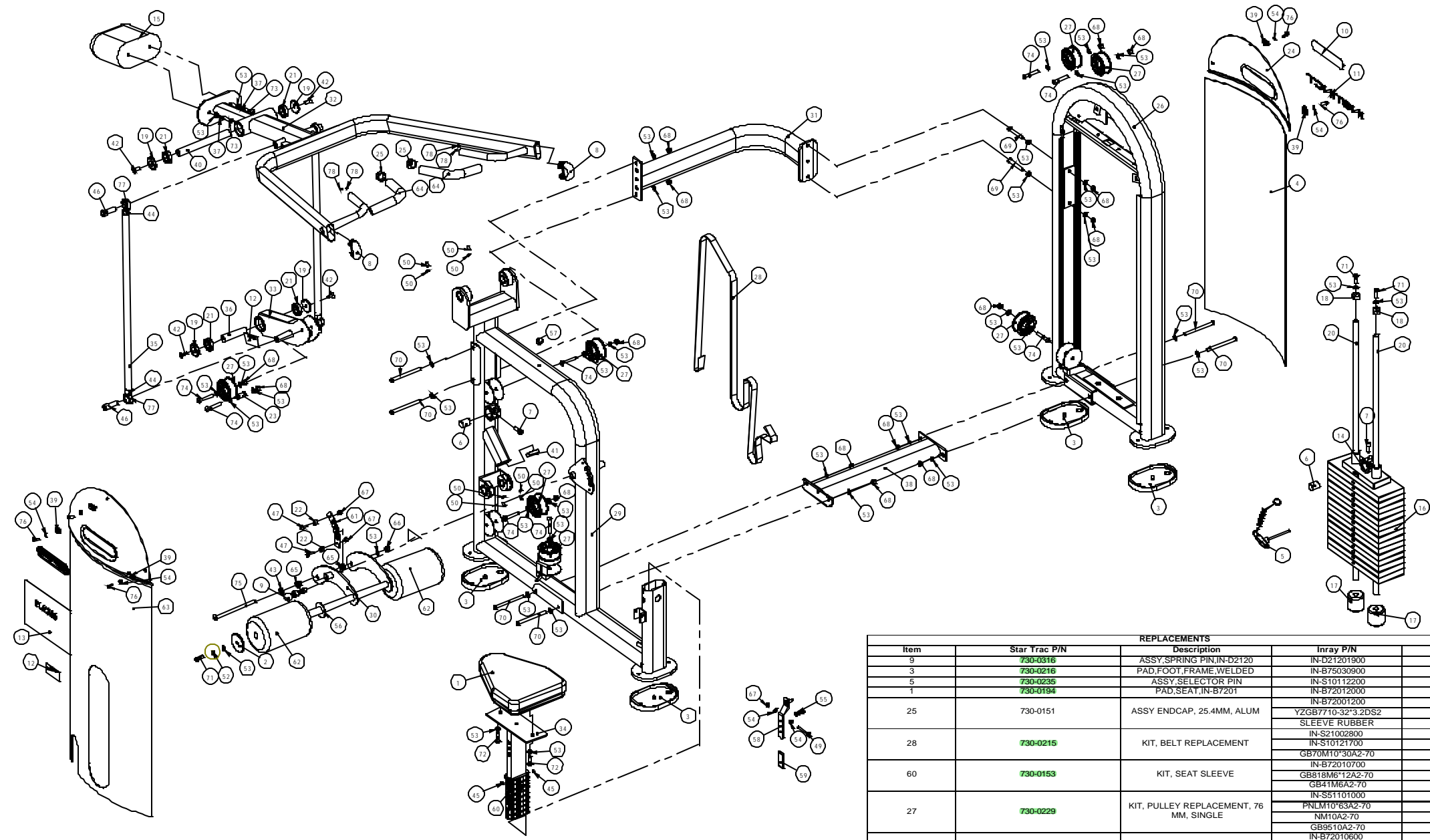


REVISION HISTORY				
REV	DATE	DESCRIPTION	ECO	BY
A	11-07-04	PRODUCTION RELEASE	11508	SMS
B	6-27-07	UPDATE 3D MODEL & P/N	11657	AK
C	08-30-07	UPDATED BOM STARTRAC P/N # IS-730-1103 WAS <del>730-1106</del>	11708	



ITEM NO.	STARTRAC P/N	INRAY P/N	DESCRIPTION	QTY.
1	730-0194	IN-B72012000	PAD, SEAT, IN-B7201	1
2	730-0200	IT80053800	PLUG, KNEE PAD, 75X10.5, S1012	2
3	730-0216	IN-B75030900	PAD, FOOT, FRAME, WELDED	4
4	730-0233	IN-S10121500	SHROUD, REAR, IN-S5100	1
5	730-0235	IN-S1012200	ASSY, SELECTOR PIN	1
6	730-0236	IN-S10121700	PIN, BELT ANCHOR	2
7	730-0237	GB70M10-30A2-70NL	SCREW, M10x30, SHS, SS	2
8	730-0292	IN-S21003000	CAP, ARMS, IN-S2100	2
9	730-0316	IN-D21201900	ASSY, SPRING PIN, IN-2120	1
10	730-0383	STARTRAC1	LOGO, STARTRAC	2
11	730-0384	Instinct	LOGO, INSTINCT	1
12	730-0385	CAUTION	LABEL, CAUTION, PINCH POINT	2
13	730-0403	TZ7SS3310	PLACARD, INSTRUCTION, IN-S3310	1
14	730-0522	730-0522	ASSY, TOP PLATE, 15 HOLES, IN	1
15	730-0551	IN-S33101400	COUNTERBALANCE, IN-S3310	1
16	730-0556	XZT235	WSB MAIN, (5 x WSS)	1
17	730-0562	IN-D10132900	BUMPER, STACK, 60MM	2
18	730-0565	IT80129500	CAP, END, HANDLE	2
19	730-0566	IN-S51102100	CAP, 50MM OD	4
20	730-0662	IN-S21001300	WEIGHT STACK GUIDE RAIL	2
21	730-0679	GB276605-22	ISO 15 RBB - 1025 - 14 SL, NC, 14, .68	4
22	730-0679	IN-S10111200	STOPPER, IN-S1011	2
23	730-0680	IN-D10154400	BELT, GUIDE, M19X39	1
24	730-0702	IN-D10132800	SHROUD, UPPER	2
25	730-0704	IN-B72001200	CAP, 25MM ALUMINUM	2
26	730-0719	IN-S33100100	WEIGHT STACK, FRAME	1
27	730-0721	IN-S51101000	PULLEY, 75MM	7
28	730-0728	IN-S10112000	BELT	1
29	730-0831	IN-S33100200	ASSY, MAIN FRAME	1
30	730-0832	IN-S33100300	ASSY, PIVOT, KNEE, ADJUSTMENT	1
31	730-0833	IN-S33100400	CROSSBEAM, UPPER, FRAME	1
32	730-0834	IN-S33100500	LEVERAGE ARM, U-SHAPE, IN-S3310	1
33	730-0835	IN-S33100600	PIVOT, FRAME, PULLY BRACKET	1
34	730-0836	IN-S33100700	SEAT POST, ADJUSTMENT, IN-S3310	1
35	730-0837	IN-S33100800	SHAFT, M25X167	2
36	730-0838	IN-S33101000	SHAFT, M25X104	1
37	730-0839	IN-S33101300	WASHER, M10, LOCKING, IN-S3310, SS	2
38	730-0840	IN-S33200400	CROSSBEAM, LOWER, FRAME	1
39	730-0845	IN-S21004800	SHROUD, MOUNTING, U-STYLE, CLIP	6
40	730-0846	IN-S33200800	SHAFT, 25MM X 234	1
41	730-0850	83004700	BUMPER, 45X25	1
42	730-0870	CNLM10-25A2-70	SCREW, M10X25, FHM, HK, SS	4
43	730-0876	DO12A2-70	WASHER, M12, FENDER, SS	1
44	730-0884	GB41M16A2-70	NUT, M16, HEX, SS	4
45	730-0885	GB41M6A2-70	NUT, M6, JAM, HEX, SS	2
46	730-0887	GB70M16-40A2-70	SCREW, M16X40, SHS, SS	4
47	730-0889	GB70M8-20A2-70NL	SCREW, M8X20, SHC	2
48	730-0891	GB70M8-30A2-70NL	SCREW, M8X30, SHS, SS	1
49	730-0892	GB70M8-55A2-70	SCREW, M8X55, SHS, SS	1
50	730-0896	GB77M8-16A2-70	SCREW, M8X16, SET, SS	8
51	730-0899	GB818M6-12A2-70	SCREW, M6X12, BHC, SS	2
52	730-0907	GB9310D512	WASHER, M10, SPLIT, LOCK, SS	2
53	730-0908	GB9510A2-70	WASHER, M10, FLAT, SS	43
54	730-0910	GB958A2-70	WASHER, M8, BELLEVILLE, SS	8
55	730-0911	HF1642303	ADJUSTMENT HANDLE, COMPRESSION SPING	1
56	730-0912	HF1652100	SPACER, 26MM ID, 60MM OD	2
57	730-0913	HF3574000	BUMPER	1
58	730-0930	IN-B72010600	ASSY, EXTENSION, ADJUSTMENT HANDLE	1
59	730-0935	IN-B72011400	ASSY, ADJUSTMENT HANDLE, END, SLEEVE	1
60	730-0936	IN-B72011700	ASSY, TUBE, INSERT, SLEEVE	2
61	730-1067	IN-S33100900	STOP, ROM, IN-S33100	1
62	730-1068	IN-S33101100	ROLLER, LEG, PAD, M140X215	2
63	730-1070	IN-S33200900	SHROUD, ELONGATE, INNER	1
64	730-1071	IN-S33201000	LEVERAGE ARM, HANDLE, GRIP, SLEEVE	2
65	730-1099	M01402000	BUSHING, 12MM ID X 13MM	2
66	730-1102	NM12A2-70	NYLOC SELF LOCKING NUT, ST STL A2 ISO	1
67	730-1103	NM8A2-70	NUT, M8, NYLON PATCH, SS	3
68	730-1104	NM10A2-70	NUT, M10, NYLON PATCH, SS	16
69	730-1109	PNLM10-80A2-70	SCREW, M10X80, BH, SS	2
70	730-1112	PNLM10-130A2-70	SCREW, M10X130, BH, SS	6
71	730-1118	PNLM10-30A2-70	SCREW, M10, BHC, HK, SS	4
72	730-1119	PNLM10-35A2-70	SCREW, M10X35, BH, SS	2
73	730-1121	PNLM10-45A2	SCREW, M10X45, BHC, SS	2
74	730-1122	PNLM10-63A2-70	SCREW, M10X63, BHC, SS	8
75	730-1134	PNLM12-18A2-70	SCREW, M12X18, BHC, SS	1
76	730-1138	PNLM8-20A2-70	SCREW, M8X20, BHC, SS	6
77	730-1149	SABJK16C	HEM, JOINT, BOLT	4
78	730-1155	YZGB7710-32X3.2DS2	SCREW, 10-32X3.2, SET	4

Item	Star Trac P/N	Description	Inray P/N	Qty
9	730-0316	ASSY, SPRING PIN, IN-D2120	IN-D21201900	1
3	730-0216	PAD, FOOT, FRAME, WELDED	IN-B75030900	4
5	730-0235	ASSY, SELECTOR PIN	IN-S10112200	1
1	730-0194	PAD, SEAT, IN-B7201	IN-B72012000	1
25	730-0151	ASSY, ENDCAP, 25.4MM, ALUM	YZGB7710-32X3.2DS2	2
			SLEEVE RUBBER	2 FT
28	730-0215	KIT, BELT REPLACEMENT	IN-S21002800	15.5
			IN-S10121700	2
			GB70M10-30A2-70	1
			IN-B72010700	1
60	730-0153	KIT, SEAT SLEEVE	GB818M6-12A2-70	1
			GB41M6A2-70	1
			IN-S51101000	1
27	730-0229	KIT, PULLEY REPLACEMENT, 76 MM, SINGLE	PNLM10-63A2-70	1
			NM10A2-70	1
			GB9510A2-70	2
			IN-B72010600	1
28	730-0251	KIT ADJUSTMENT HANDLE, IN-D1014	IN-B72011400	1
			HF1642303	1
			GB70M8-55A2-70	1
			GB958A2-70	1
			IN-DS3400500	1
			IT80053800	1
			HF1652100	1
			GB9510A2-70	1
			GB9310DG12	1
			PNLM10-30-30A2-70	1
			IN-S33100900	1
2	730-0305	KIT, KNEE PAD, IND3340	IN-S10111200	2
			GB70M8-20A2-70	2
61	N/A	KIT, HARDWARE, IN-S3310	??	n/a

NOTES:

NOTICE OF PROPRIETARY INFORMATION

THIS DOCUMENT SHALL NOT BE REPRODUCED NOR SHALL THE INFORMATION CONTAINED HEREIN BE USED BY OR DISCLOSED TO OTHER ENTITIES AS REPRESENTED BY UNISEN INC. D.B.A. STAR TRAC.

DOCUMENT STATUS:  
RELEASE

CLASS OF WORK	UNLESS OTHERWISE SPECIFIED DIMS ARE IN MM							MATERIAL
	05 to 3	>3 to 6	>6 to 30	>30 to 120	>120 to 400	>400 to 1000	>1000 to 2000	
FINE	±0.05	±0.05	±0.1	±0.15	±0.2	±0.3	±0.5	SEE BOM
MEDIUM	±0.1	±0.1	±0.2	±0.3	±0.5	±0.8	±1.2	FINISH
COARSE	±0.2	±0.3	±0.5	±0.8	±1.2	±2	±3	FRAME COLOR: STAR TRAC SILVER (HP FULLER) UPHOLSTERY COLOR: STAR TRAC GREY (SLATE)
VERY COARSE	—	±0.5	±1	±1.5	±2.5	±4	±8	VENDOR: N/A

THIRD ANGLE PROJECTION

UNISEN, INC. DBA  
**STAR TRAC**  
14410 Myford Road  
Irvine CA 92606

DATE: 08/14/07

DRAWN: AK  
CHECKED: [ ]  
APPROVED: [ ]

STARTRAC PART NO: **9IN-S3310-13BSS**

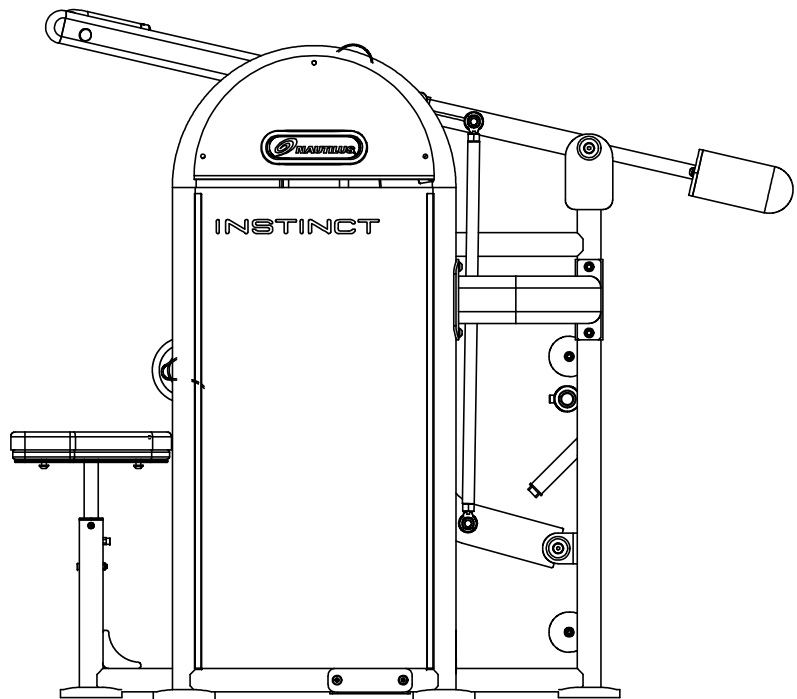
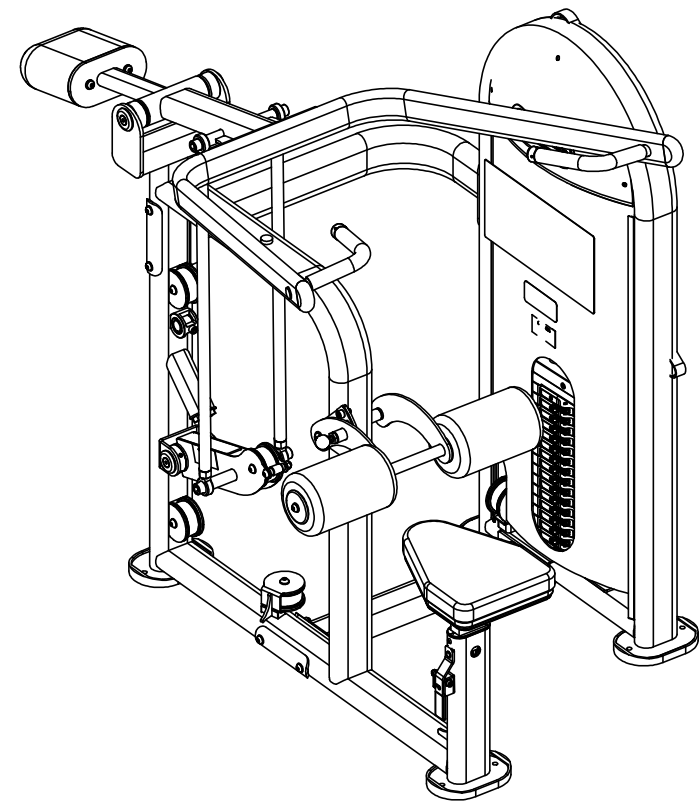
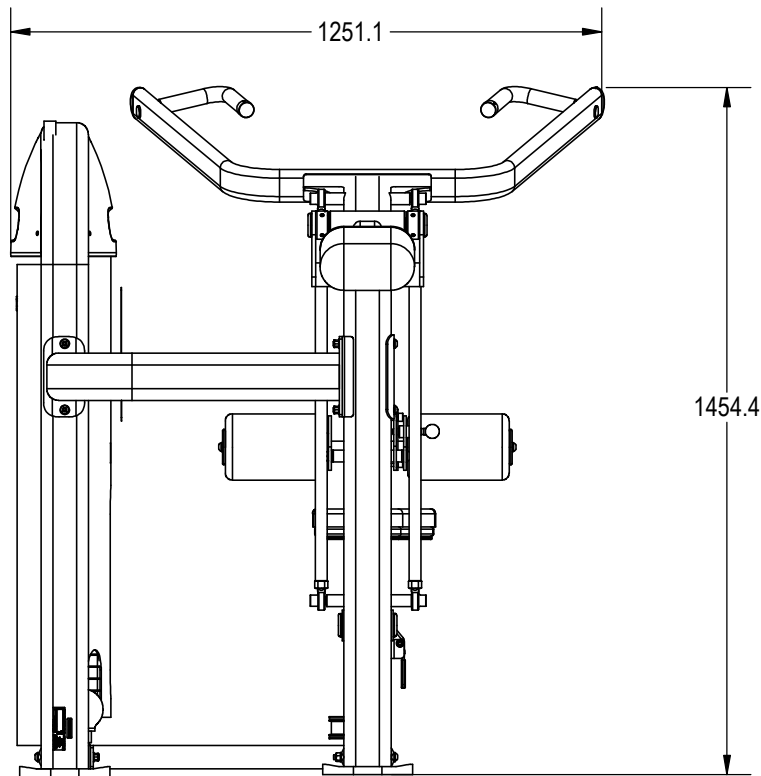
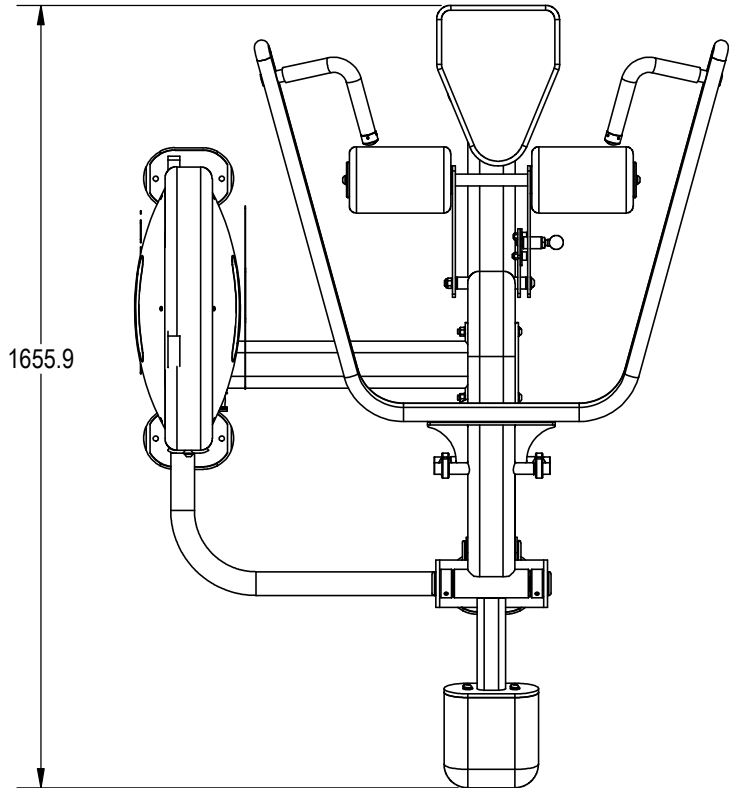
TITLE: **IN,SSS,LAT PULL DOWN**

SCALE: 1:33.3 | SHEET 1 OF 1 | SHEET SIZE: B

NOTES:

1. ASSEMBLE AND INSPECT PER SOP 620-7918..
2. INSTALL Kg STICKER AND AFFIX Lb STICKER TO INSIDE OF SHROUD WITH TAPE.
3. COLOR DICTATED BY THE SALES ORDER. REFERENCE THE MACHINES BOM FOR COMPONENTS CONTAINING -XX, -00XX AND -XXXXX.
  - a. COLOR: -XX COLOR DESIGNATOR AS SPECIFIED IN SOP 620-8222.
  - b. THE -XX CAN RESULT IN ONE COLOR FOR THE METAL SHROUD AND A DIFFERENT COLOR FOR THE METAL FRAME ALSO WITH A -XX LISTED ON THE BOM.
  - c. THE -00XX IS THE COLOR DESIGNATOR FOR UPHOLSTERY.
  - d. THE 5TH DESIGNATOR: "X" WITHIN -XXXXX DEFINES THE HEAD STRAP OR CUSTOM PRODUCTS BRAND. THIS IS SPECIFIED ON SALES ORDERS.
  - e. THE -XXXXX IS CREATED BY COMBINING THE -XX, -00XX AND THE 5TH DESIGNATOR.
  - f. ALL X'S SHOULD BE DEFINED ON THE SALES ORDER.

REVISIONS HISTORY				
REV.	DATE	DESCRIPTION	ECO	BY
A	8/3/2016	INITIAL RELEASE	15478	AM



**DOCUMENT STATUS:**

NOTICE OF PROPRIETARY INFORMATION

THIS DOCUMENT SHALL NOT BE REPRODUCED NOR SHALL THE INFORMATION CONTAINED HEREIN BE USED BY OR DISCLOSED TO OTHER EXCEPT AS EXPRESSLY AUTHORIZED BY CORE HEALTH & FITNESS, LLC.

CLASS OF WORK	UNLESS OTHERWISE SPECIFIED DIMS ARE IN mm. TOLERANCES FOR MEASURE OF LENGTH ARE:							ANGLES = ±2°
	0.5 to 3	>3 to 6	>6 to 30	>30 to 120	>120 to 400	>400 to 1000	>1000 to 2000	
FINE	±0.05	±0.05	±0.1	±0.15	±0.2	±0.3	±0.5	----
MEDIUM <b>X</b>	±0.1	±0.1	±0.2	±0.3	±0.5	±0.8	±1.2	±2
COARSE	±0.2	±0.3	±0.5	±0.8	±1.2	±2	±3	±4
VERY COARSE	----	±0.5	±1	±1.5	±2.5	±4	±6	±8

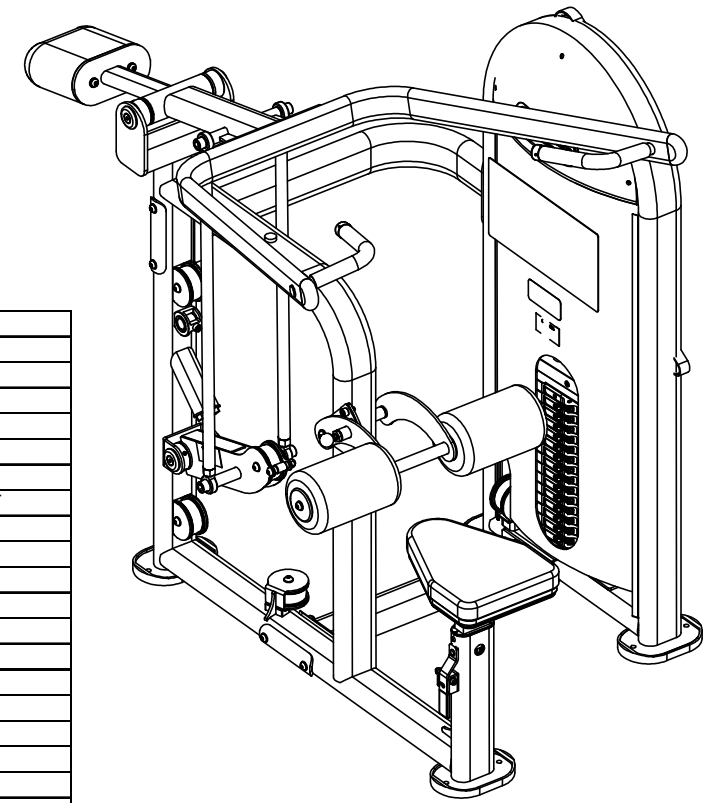
<b>MATERIAL</b> SEE BOM	THIRD ANGLE PROJECTION	
<b>FINISH</b> SEE NOTES		
<b>VENDOR: N/A</b>	<b>P/N: N/A</b>	

<b>CORE HEALTH &amp; FITNESS, LLC</b> 4400 NE 77th Ave., Suite 300 Vancouver, WA 98662		
CORE PART NO	REV	
<b>NL-S3310-29AGS</b>	<b>A</b>	
TITLE NL,SSS,LAT PULL DOWN,LNL		
SCALE: 1:33.3	SHEET 1 OF 3	SHEET SIZE: B

DRAWN	INITIAL	DATE
CHECKED		
APPROVED		
	U.O.M.	MM

9					8					7					6					5					4					3					2					1				
ITEM NO.	PART NUMBER	DESCRIPTION			QTY.	ITEM NO.	PART NUMBER	DESCRIPTION			QTY.	ITEM NO.	PART NUMBER	DESCRIPTION			QTY.	ITEM NO.	PART NUMBER	DESCRIPTION			QTY.	ITEM NO.	PART NUMBER	DESCRIPTION			QTY.	ITEM NO.	PART NUMBER	DESCRIPTION			QTY.									
J	1	050-5457	Label, S/N, Non-Powered, Primary, Core H&F			1	45	730-0892	SCREW,M8X55,SHS,SS			1	66	730-1118	SCREW, M10, BHC, HK, SS			4	J																									
	2	730-0194	PAD,SEAT,IN-B7201			1	46	730-0896	SCREW,M8X16,SET,SS			8	67	730-1119	SCREW, M10x35, BH, SS			2																										
	3	730-0200	PLUG, KNEE PAD, 75X10.5, S1012			2	47	730-0899	SCREW,M6X12,BHC,SS			2	68	730-1121	SCREW,M10X45,BHC,SS			2																										
	4	730-0216	PAD,FOOT,FRAME,WELDED			4	48	730-0907	WASHER,M10,SPLIT,LOCK,SS			2	69	730-1122	SCREW,M10X63,BHC,SS			8																										
I	5	730-0233	SHROUD,REAR,IN-S5100			1	49	730-0908	WASHER,M10,FLAT,SS			43	70	730-1134	SCREW,M12X184,BHC,SS			1																										
	6	730-0236	PIN, BELT ANCHOR			2	50	730-0910	WASHER,M8,BELLEVILLE,SS			8	71	730-1138	SCREW,M8X20,BHC,SS			6	I																									
	7	730-0237	SCREW, M10x30, SHS,SS			2	51	730-0911	ADJUSTMENT,HANDLE,COMPRESSION SPING			1	72	730-1149	HEIM JOINT, BOLT			4																										
	8	730-0292	CAP, ARMS, IN-S2100			2	52	730-0912	SPACER,26MM ID,60MM OD			2	73	730-1155	SCREW, 10-32X3.2, SET			4																										
	9	730-0316	ASSY,SPRING PIN,IN-2120			1	53	730-0913	BUMPER			1	74	730-1333	SHROUD,LNL,S3320			1																										
H	10	730-0384	LOGO,INSTINCT			1	54	730-0930	ASSY,EXTENSION,ADJUSTMENT,HANDLE			1	75	730-1400	WSA-LNL,225LB,15H			1	H																									
	11	730-0385	LABEL,CAUTION,PINCH POINT			2	55	730-0935	ASSY,ADJUSTMENT,HANDLE,END,SLEEVE			1	76	730-1491	LABEL,INSTRUCTIONS,LOCK N LOAD			1																										
	12	730-0551	COUNTERBALANCE, IN-S3310			1	56	730-0936	ASSY,TUBE,INSERT,SLEEVE			2	77	730-7228-XXX	STICKER, PLACARD, INSTRUCTION, LLLPD, NAUT.			1																										
	13	730-0562	BUMPER,STACK,60MM			2	57	730-1067	STOP,ROM,IN-S33100			1	78	731-0335	STICKER, MADE IN CHINA, IP			1																										
	14	730-0565	CAP, END, HANDLE			2	58	730-1068	ROLLER,LEG,PAD,M140X215			2	79	731-7311	STICKER,NAUTILUS,DECO,45MMX191MM			2																										
G	15	730-0656	CAP,50MM OD			4	59	730-1071	LEVERAGE ARM,HANDLE,GRIP,SLEEVE			2							G																									
	16	730-0662	WEIGHT STACK,GUIDE RAIL			2	60	730-1099	BUSHING,12MM IDX 13MM			2																																
	17	730-0673	ISO 15 RBB - 1025 - 14,SI,NC,14_68			4	61	730-1102	NYLOC SELF LOCKING NUT, ST STL A2 ISO			1																																
	18	730-0679	STOPPER, IN-S1011			2	62	730-1103	NUT,M8,NYLON PATCH,SS			3																																
F	19	730-0680	BELT,GUIDE,M19X39			1	63	730-1104	NUT,M10,NYLON PATCH,SS			16							F																									
	20	730-0702	SHROUD,UPPER			2	64	730-1109	SCREW,M10X80,BH,SS			2																																
	21	730-0704	CAP, 25MM, ALUMINUM			2	65	730-1112	SCREW, M10x130, BH, SS			6																																
	22	730-0719	WEIGHT STACK,FRAME			1																																						
E	23	730-0721	PULLEY, 75MM			7												E																										
	24	730-0778	BELT			1																																						
	25	730-0831	ASSY,MAIN FRAME			1																																						
	26	730-0832	ASSY,PIVOT,KNEE,ADJUSTMENT			1																																						
	27	730-0833	CROSSBEAM,UPPER,FRAME			1																																						
D	28	730-0834	LEVERAGE ARM,U-SHAPE,IN-S3310			1												D																										
	29	730-0835	PIVOT,FRAME,PULLY,BRACKET			1																																						
	30	730-0836	SEAT POST,ADJUSTMENT,IN-S3310			1																																						
	31	730-0837	SHAFT,M25X767			2																																						
	32	730-0838	SHAFT,M25X104			1																																						
C	33	730-0839	WASHER,M10,LOCKING,IN-S3310,SS			2												C																										
	34	730-0840	CROSSBEAM,LOWER,FRAME			1																																						
	35	730-0845	SHROUD,MOUNTING,U-STYLE,CLIP			6																																						
	36	730-0846	SHAFT,25MM X 234			1																																						
	37	730-0858	BUMPER, 45X25			1																																						
B	38	730-0870	SCREW,M10X25,FHM,HK,SS			4												B																										
	39	730-0876	WASHER,M12,FENDER,SS			1																																						
	40	730-0884	NUT,M16,HEX,SS			4																																						
	41	730-0885	NUT,M6,JAM,HEX,SS			2																																						
	42	730-0887	SCREW,M16X40,SHS,SS			4																																						
	43	730-0889	SCREW, M8X20, SHC			2																																						
A	44	730-0891	SCREW, M8X30, SHS,SS			1												A																										

REPLACEMENTS				
Item	Star Trac P/N	Description	Inray P/N	Qty
8	730-0316	ASSY,SPRING PIN,IN-D2120	IN-D21201900	1
3	730-0216	PAD,FOOT,FRAME,WELDED	IN-B75030900	4
1	730-0194	PAD,SEAT,IN-B7201	IN-B72012000	1
22	730-0151	ASSY ENDCAP, 25.4MM, ALUM	IN-B72001200	1
			YZGB7710-32*3.2DS2	2
			SLEEVE RUBBER	2 FT
25	730-0215	KIT, BELT REPLACEMENT	IN-S21002800	15.5
			IN-S10121700	2
			GB70M10*30A2-70	1
57	730-0153	KIT, SEAT SLEEVE	IN-B72010700	1
			GB818M6*12A2-70	1
			GB41M6A2-70	1
24	730-0229	KIT, PULLEY REPLACEMENT, 76 MM, SINGLE	IN-S51101000	1
			PNLM10*63A2-70	1
			NM10A2-70	1
			GB9510A2-70	2
55	730-0251	KIT ADJUSTMENT HANDLE, IN-D1014	IN-B72011400	1
			HF1642303	1
			GB70M8*55A2-70	1
			GB958A2-70	1
27	730-0305	KIT, KNEE PAD, IND3340	IN-D33400900	1
			IT80053800	1
			HF1652100	1
			GB9510A2-70	1
			GB9310DG12	1
			PNLM10*30*30A2-70	1
			IN-S33100900	1
			IN-S10111200	2
58	730-0317	KIT, KNEE ADJUSTMENT PLATE, IN-S3310	GB70M8*20A2-70	2
N/A	730-0185	KIT, HARDWARE, IN-S3310	N/A	n/a

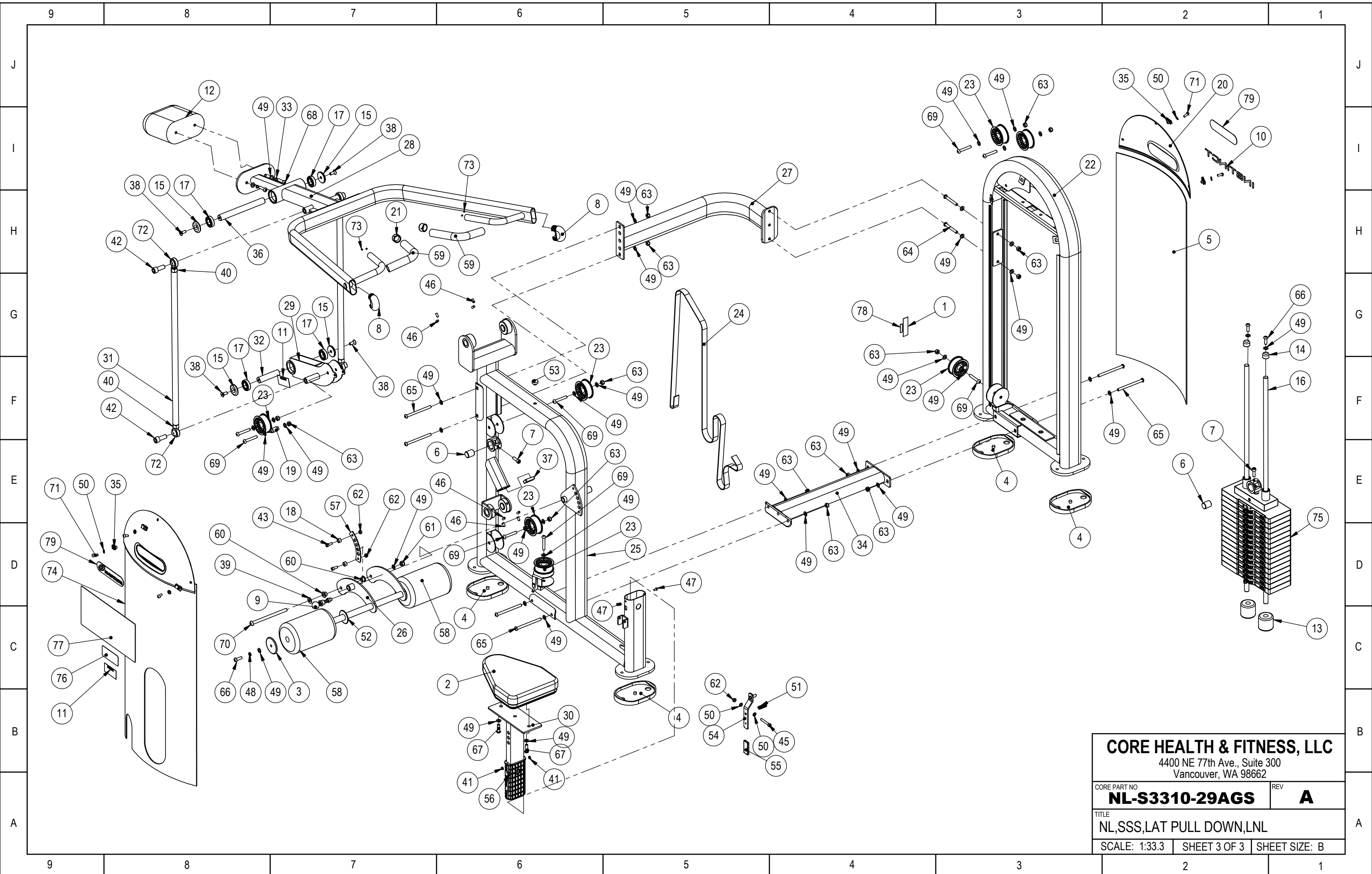


**CORE HEALTH & FITNESS, LLC**  
 4400 NE 77th Ave., Suite 300  
 Vancouver, WA 98662

CORE PART NO: **NL-S3310-29AGS** REV: **A**

TITLE: **NL,SSS,LAT PULL DOWN,LNL**

SCALE: 1:33.3 SHEET 2 OF 3 SHEET SIZE: B



**CORE HEALTH & FITNESS, LLC**  
 4400 NE 77th Ave., Suite 300  
 Vancouver, WA 98662

CORE PART NO	REV
<b>NL-S3310-29AGS</b>	<b>A</b>

TITLE  
**NL,SSS,LAT PULL DOWN,LNL**

SCALE: 1:33.3	SHEET 3 OF 3	SHEET SIZE: B
---------------	--------------	---------------